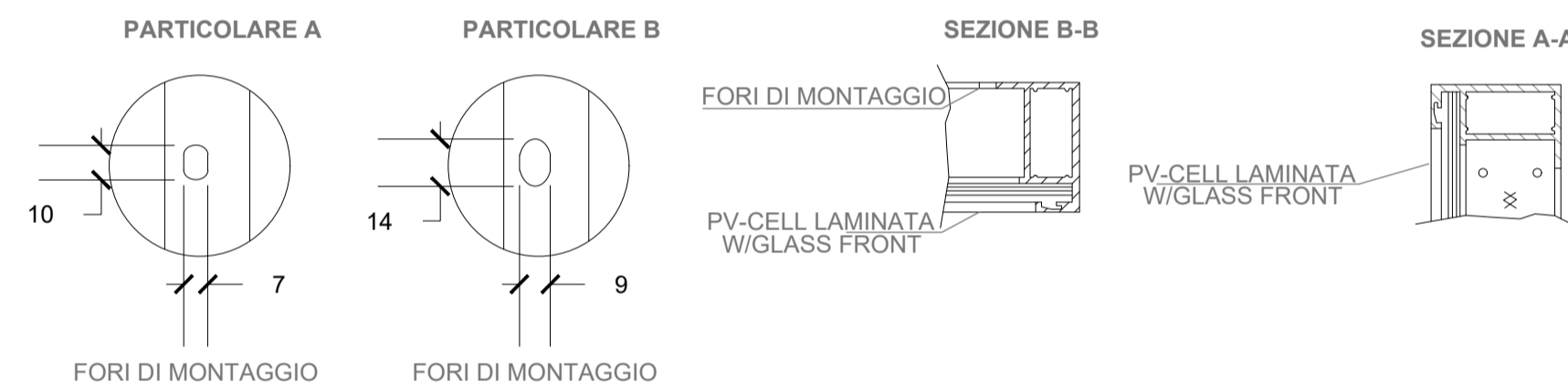
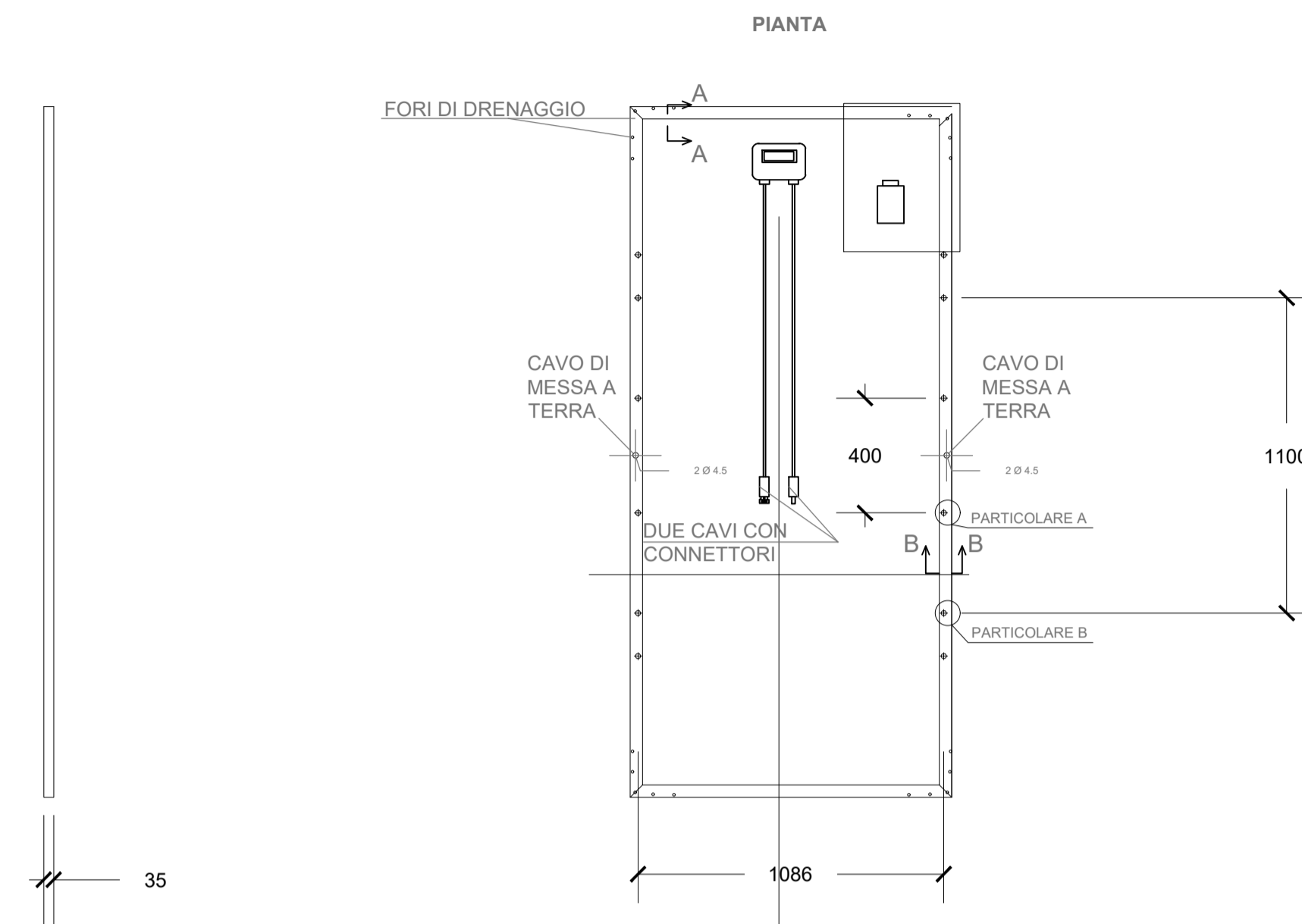
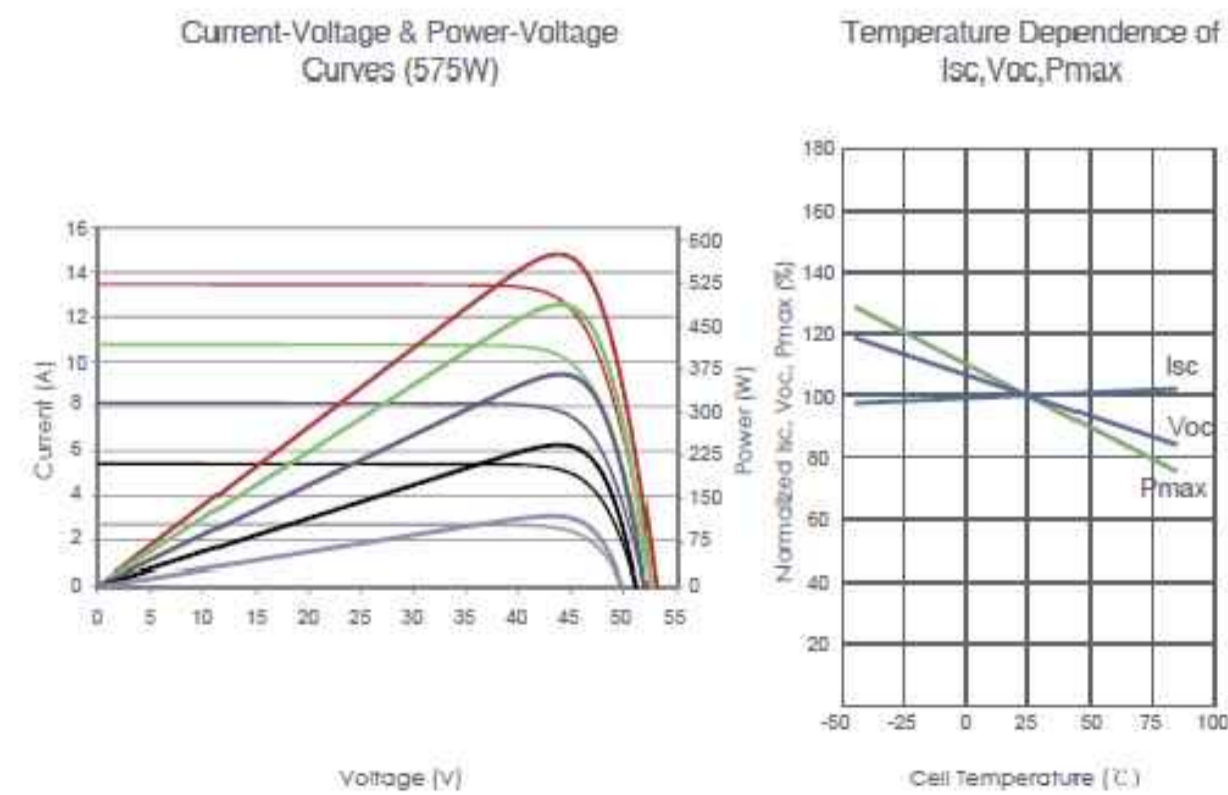


# PARTICOLARI COSTRUTTIVI MODULI



Mechanical Characteristics	
Cell Type	P type Mono-crystalline
No. of cells	156 (2*78)
Dimensions	2411x1134x35mm (94.92x44.65x1.38 inch)
Weight	30.6 kg (67.46 lbs)
Front Glass	3.2mm, Anti-Reflection Coating, High Transmission, Low Iron, Tempered Glass
Frame	Anodized Aluminium Alloy
Junction Box	IP68 Rated
Output Cables	TUV 1x4.0mm <sup>2</sup> (+): 400mm, (-): 200mm or Customized Length

## Electrical Performance & Temperature Dependence



SPECIFICATIONS										
Module Type	JKM565M-7RL4-TV		JKM570M-7RL4-TV		JKM575M-7RL4-TV		JKM580M-7RL4-TV		JKM585M-7RL4-TV	
	STC	NOCT	STC	NOCT	STC	NOCT	STC	NOCT	STC	NOCT
Maximum Power (Pmax)	565Wp	420Wp	570Wp	424Wp	575Wp	428Wp	580Wp	432Wp	585Wp	435Wp
Maximum Power Voltage (Vmp)	44.08V	41.05V	44.19V	41.17V	44.30V	41.29V	44.41V	41.41V	44.52V	41.53V
Maximum Power Current (Imp)	12.82A	10.24A	12.90A	10.30A	12.98A	10.36A	13.06A	10.42A	13.14A	10.48A
Open-circuit Voltage (Voc)	53.53V	50.53V	53.61V	50.60V	53.70V	50.69V	53.81V	50.79V	53.92V	50.89V
Short-circuit Current (Isc)	13.48A	10.89A	13.55A	10.94A	13.62A	11.00A	13.70A	11.07A	13.78A	11.13A
Module Efficiency STC (%)	20.67%		20.85%		21.03%		21.21%		21.40%	
Operating Temperature (°C)	-40°C ~ +85°C									
Maximum system voltage	1500VDC (IEC)									
Maximum series fuse rating	30A									
Power tolerance	0 ~ +3%									
Temperature coefficients of Pmax	-0.35%/°C									
Temperature coefficients of Voc	-0.28%/°C									
Temperature coefficients of Isc	0.048%/°C									
Nominal operating cell temperature (NOCT)	45±2°C									
Refer. Bifacial Factor	70±5%									

BIFACIAL OUTPUT-REARSIDE POWER GAIN							
		5%		15%		25%	
		Maximum Power (Pmax)	Module Efficiency STC (%)	Maximum Power (Pmax)	Module Efficiency STC (%)	Maximum Power (Pmax)	Module Efficiency STC (%)
5%		593Wp	21.70%	604Wp	22.08%	614Wp	22.47%
		599Wp	21.89%	611Wp	22.27%	621Wp	22.66%
15%		650Wp	23.76%	661Wp	24.19%	673Wp	24.61%
		656Wp	23.98%	667Wp	24.40%	679Wp	24.82%
25%		706Wp	25.83%	719Wp	26.29%	731Wp	26.75%
		713Wp	26.06%	725Wp	26.52%	737Wp	27.21%

\*STC: ☀ Irradiance 1000W/m<sup>2</sup> 🌡 Cell Temperature 25°C ☁ AM=1.5 🌪 Wind Speed 1m/s  
 NOCT: ☀ Irradiance 800W/m<sup>2</sup> 🌡 Ambient Temperature 20°C ☁ AM=1.5 🌪 Wind Speed 1m/s

## REGIONE PIEMONTE

Provincia di Biella  
Comune di Masserano

**FATTORIA SOLARE DEL PRINCIPE**  
Provvedimento Autorizzativo Unico Regionale  
FER - SVILUPPO FOTOVOLTAICO

COORDINAMENTO GENERALE



PROGETTISTA



Arch. Luca Menci  
mail: lucamenci@studiomenci.com

PROPONENTE



Salita Santa Caterina 2/1 - 16123 Genova  
mail: ren190@pec.it  
P.IVA: 02686880994

OGGETTO

Particolari costruttivi moduli Mas

ELABORATO 6.3 PARAGRAFO 6 - Dettagli e particolari

CODICE ELABORATO  
MR-6.3-MAS-DP-0

DATA 17/07/2021 SCALA 1:20 FORMATO A1

REDATTO DA Pietro Mazzarella APPROVATO DA Luca Menci

TIMBRI E FIRME



REN 190 S.r.l.,  
Marco Tassara  
(Firmato digitalmente)